

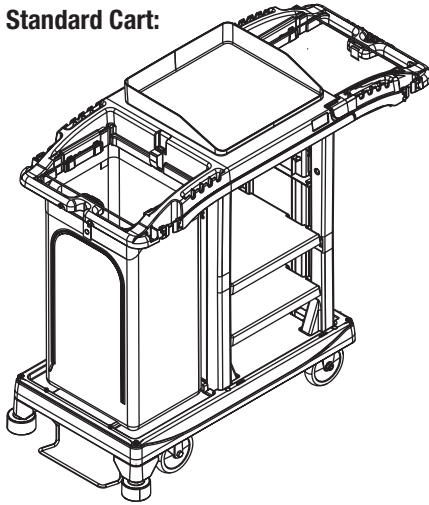


To learn about other Suncast products please call
1-855-477-1260 or 1-630-879-2050.

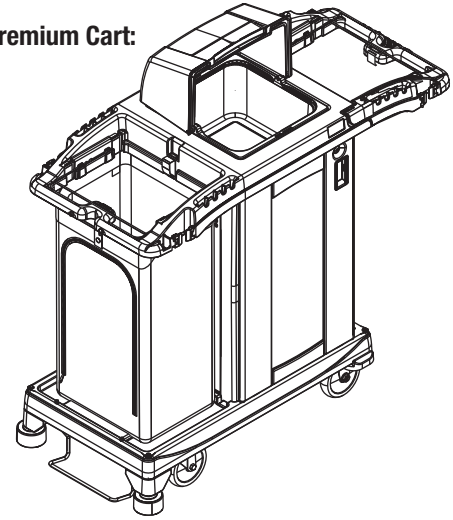


Product Feedback? Email us at: feedback@suncastcommercial.com

**Compact HKC Standard Cart:
HKCCT100**



**Compact HKC Premium Cart:
HKCCH200**



BEFORE YOU BEGIN

- Read instructions thoroughly prior to assembly.
This kit contains parts that can be damaged if assembled incorrectly or in the wrong sequence.
- Please follow instructions.
Suncast is not responsible for replacing parts lost or damaged due to incorrect assembly.
- Check for all parts before you begin assembly.
Using the provided parts check list, verify that you have all the parts required to construct your cart.

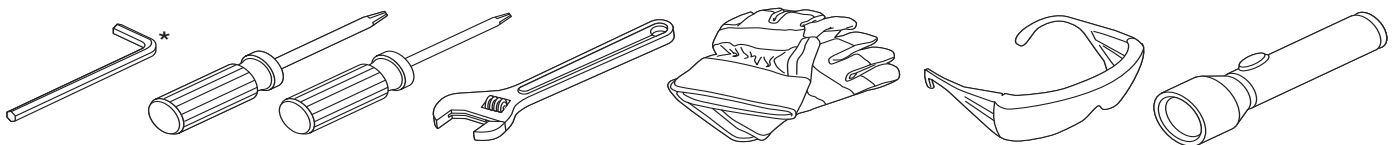
CAUTION

- This product is not a toy and is not intended for use by children.
- Exercise caution when moving fully loaded product.
- Do not sit or stand on top of product.

CARE INSTRUCTIONS

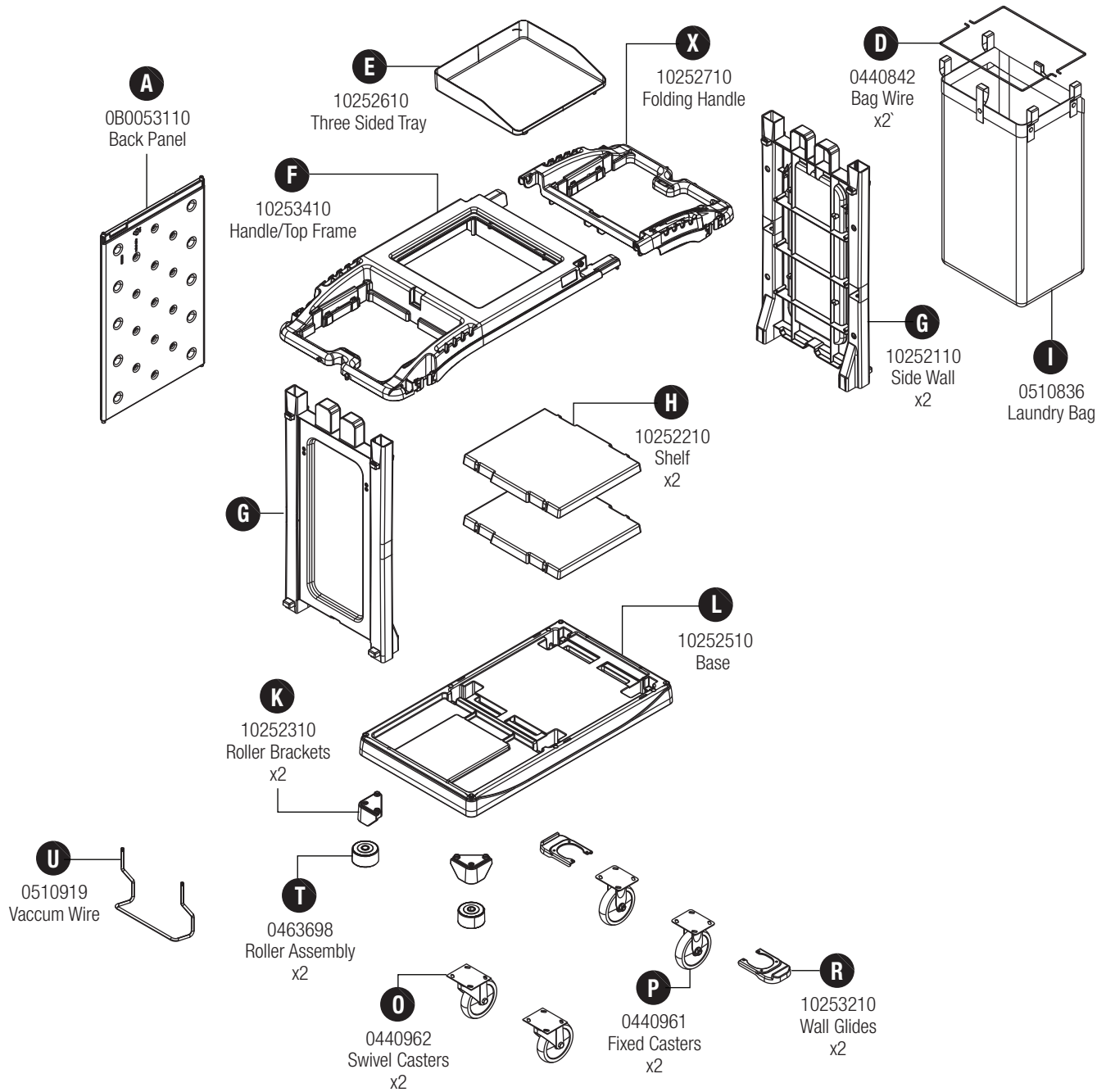
- We recommend cleaning your product with soap and water. **DO NOT** use bleach, ammonia, or other caustic cleaners, and **DO NOT** use stiff bristle brushes. Rinse and dry well before using.

Tools Needed

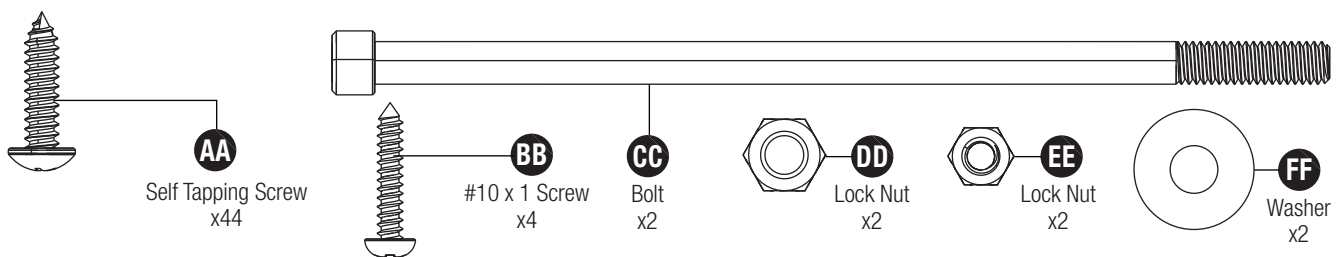


**Included in parts bag*

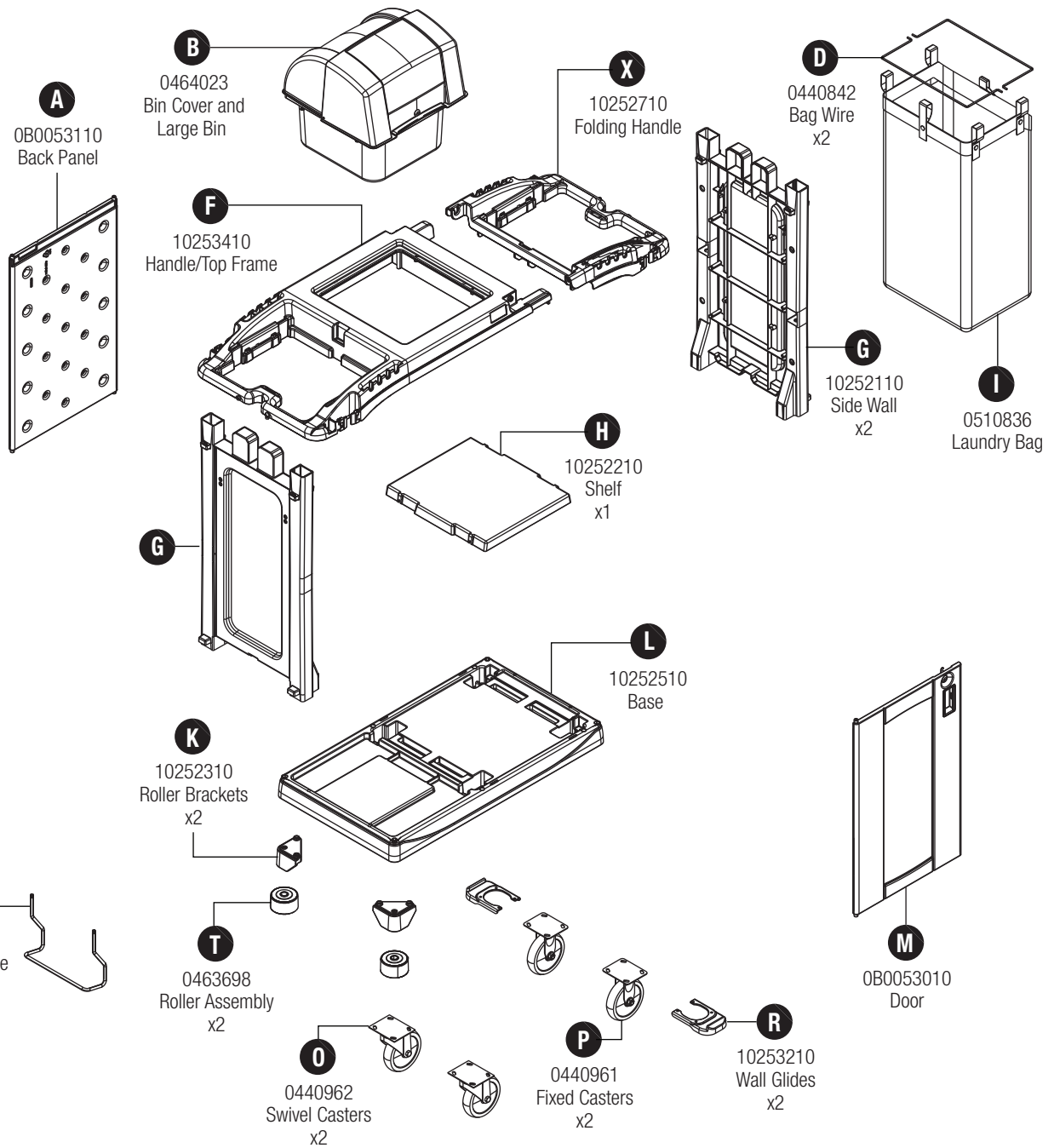
Parts—Compact HKC Standard



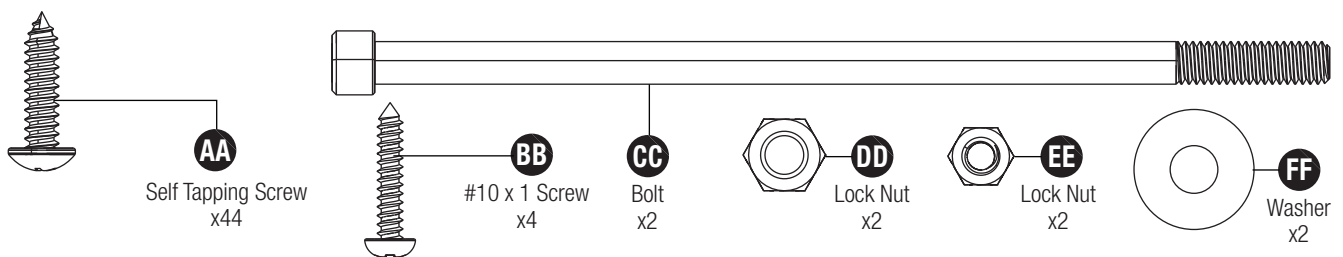
Hardware—Compact HKC Standard



Parts—Compact HKC Premium

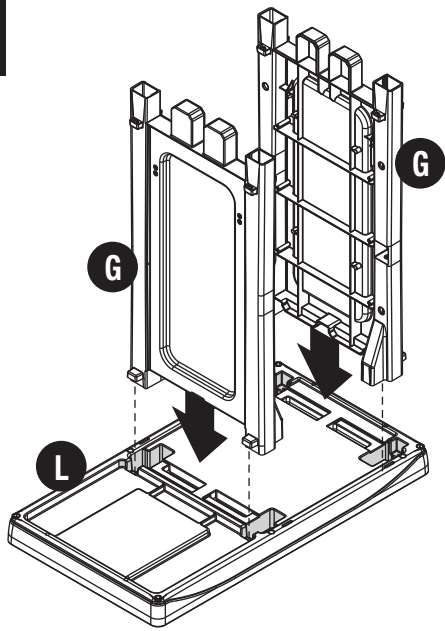


Hardware—Compact HKC Premium

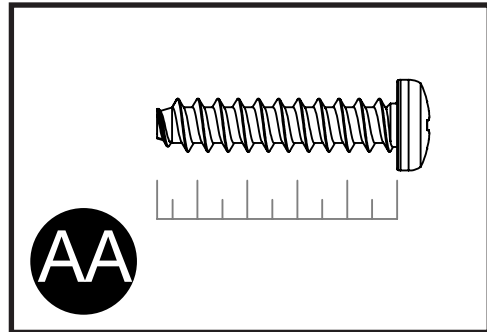


Assembly

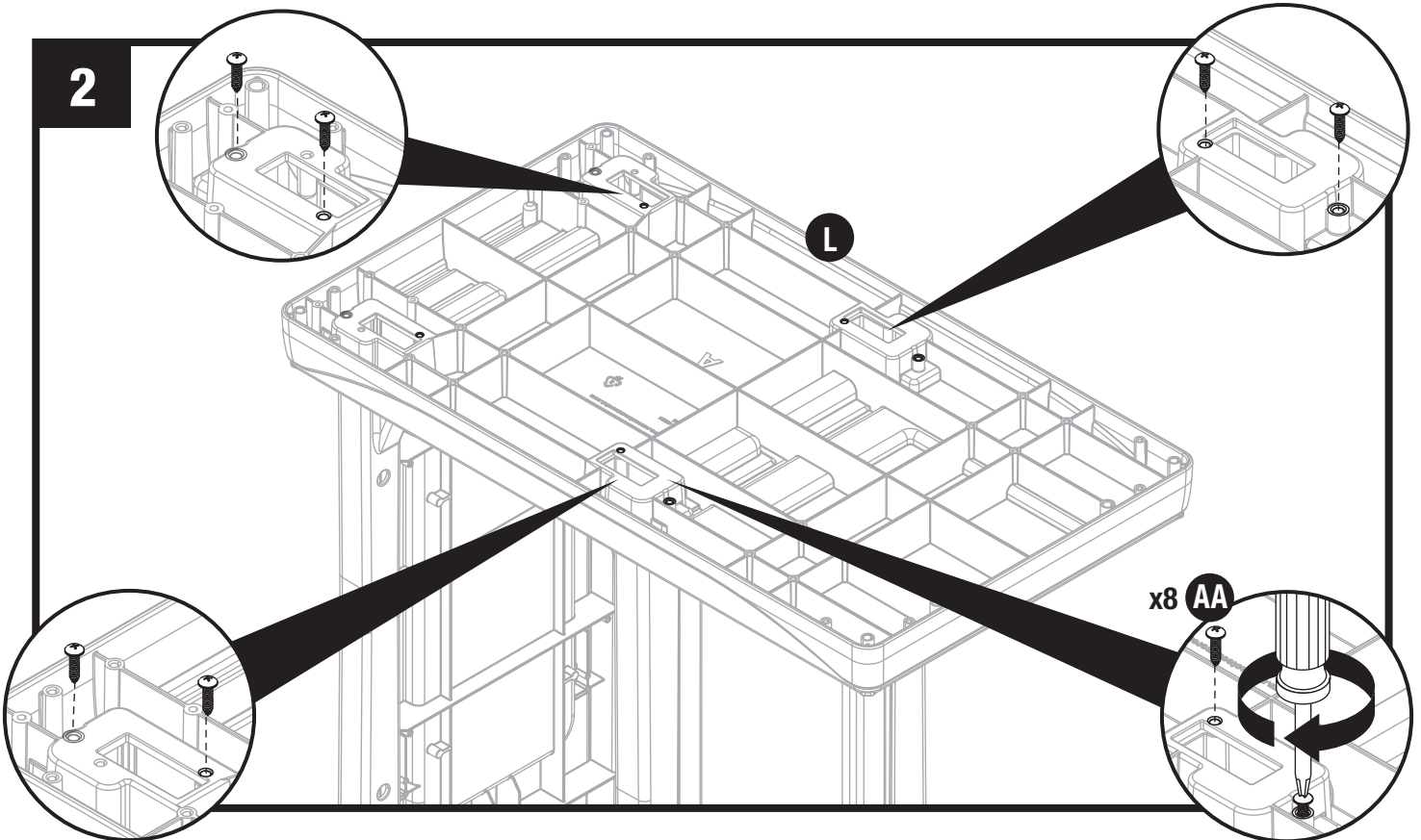
1



Install cart sides (G) into slots on base (L).

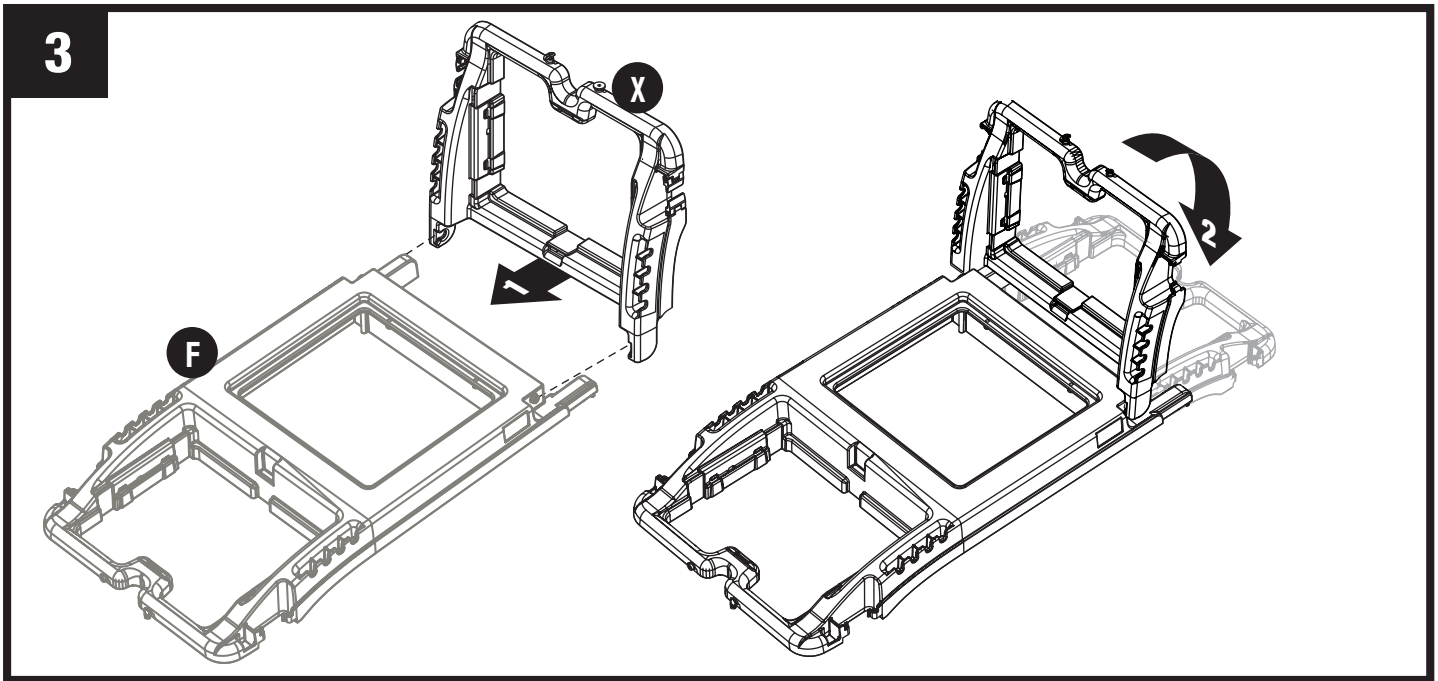


2

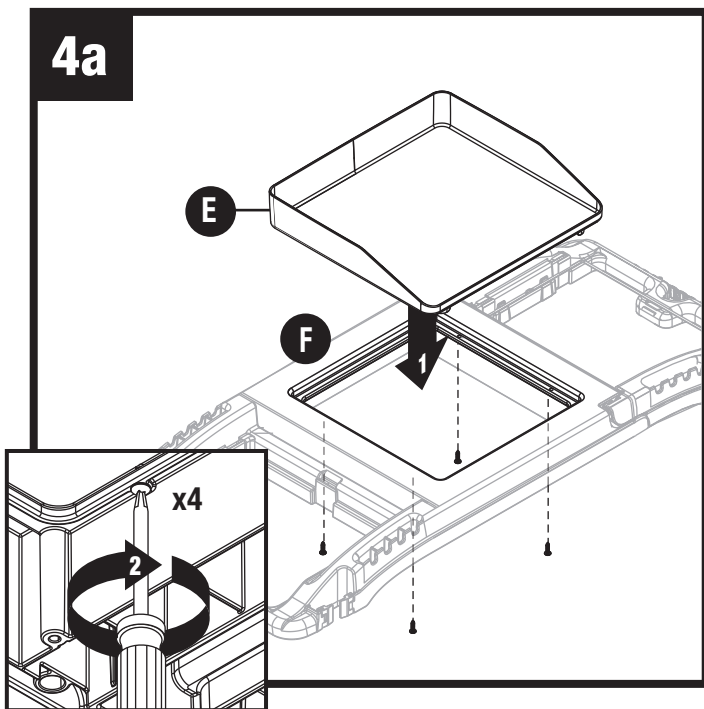


Turn cart assembly upside down, and secure sides to base (L) with eight screws (AA).

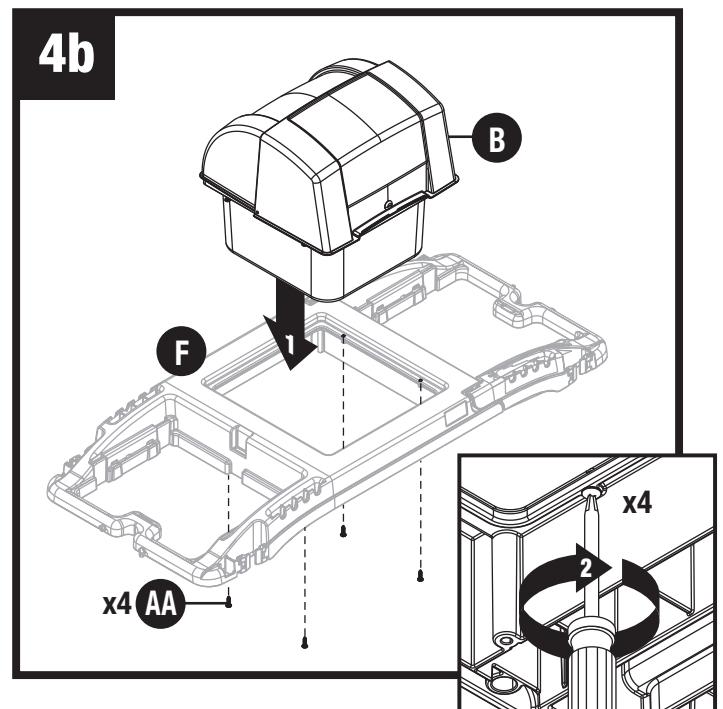
Assembly



With folding handle (X) in up position, install slots of folding handle onto pegs on top panel (F). Push down on end of folding handle to lock into place.



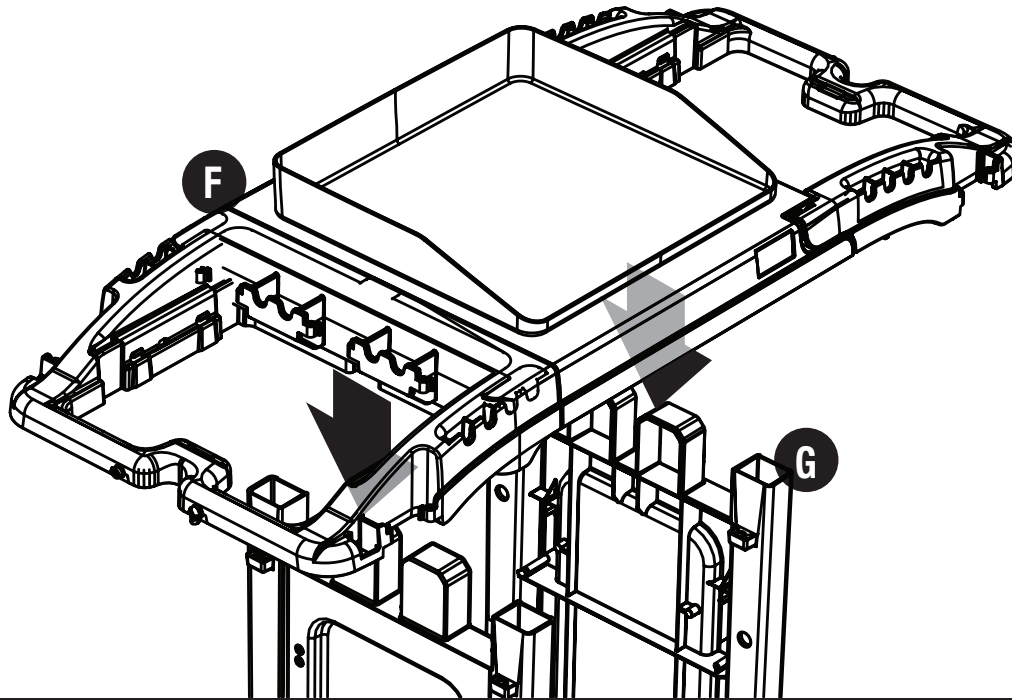
On HKCCT100, place 3-sided tray (E) onto top frame (F). Secure from underneath with four screws (AA).



On HKCCH200, install Bin Cover with Large Bin (B) to top panel (F). Secure from underneath with four screws (AA).

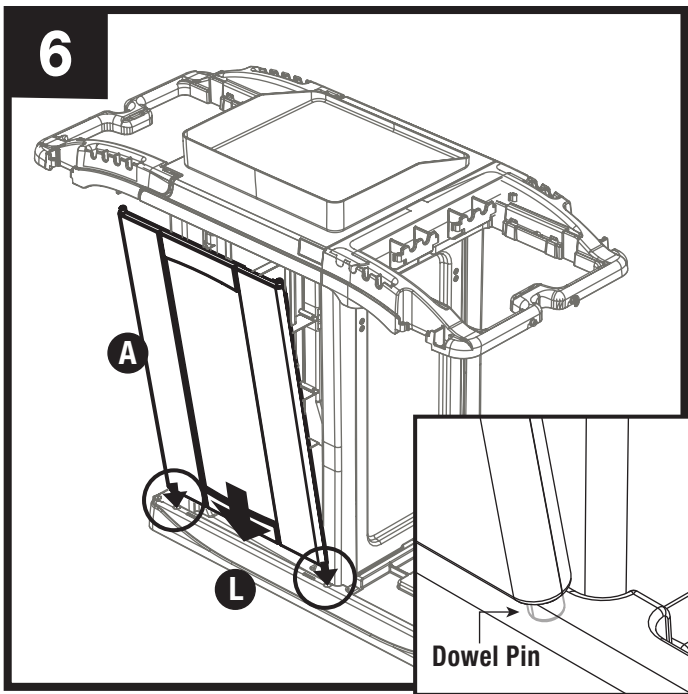
Assembly

5



Stand cart upright and place top panel (N) onto side panels (G). DO NOT use screws to attach at this point.

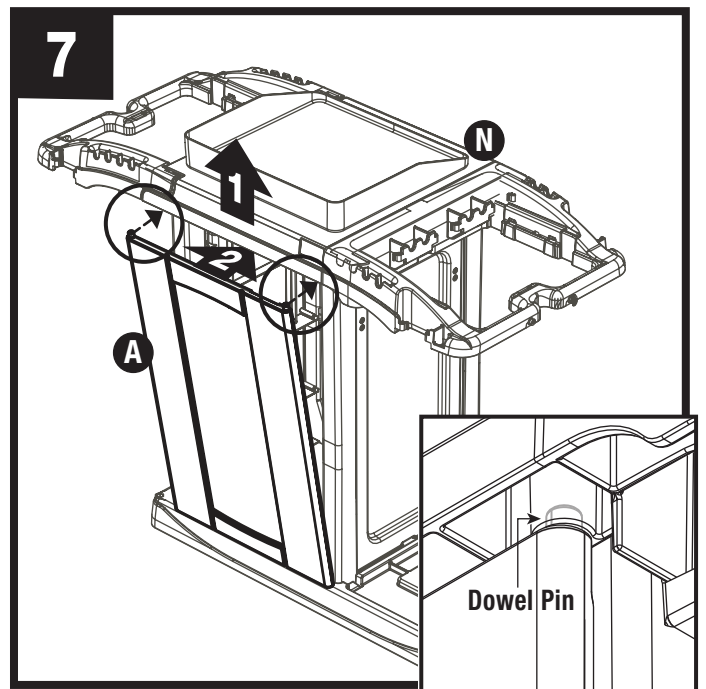
6



At a slight angle, insert lower dowel pins of back panel (A) into holes in base (L).

Note: Dowel pins must be engaged to base before proceeding.

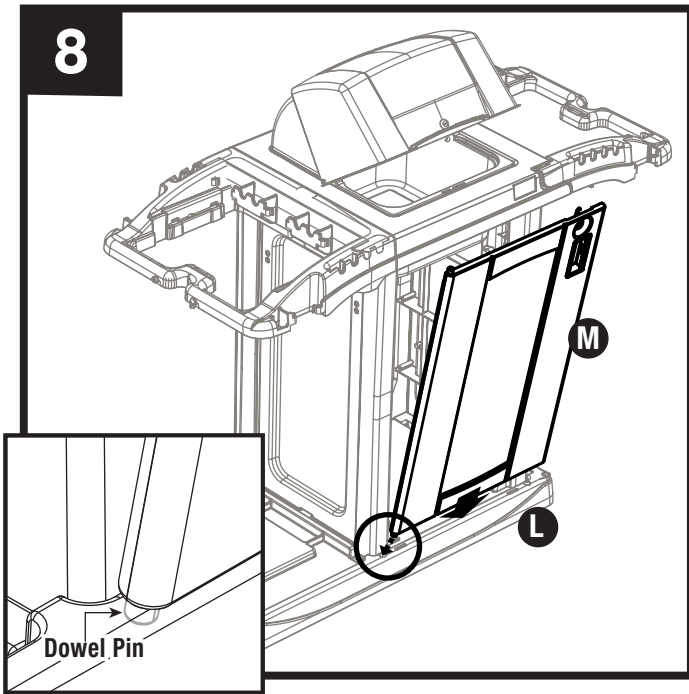
7



Slightly lift up top panel (N) and insert dowel pins on top of back panel (A) into holes on underside of top panel.

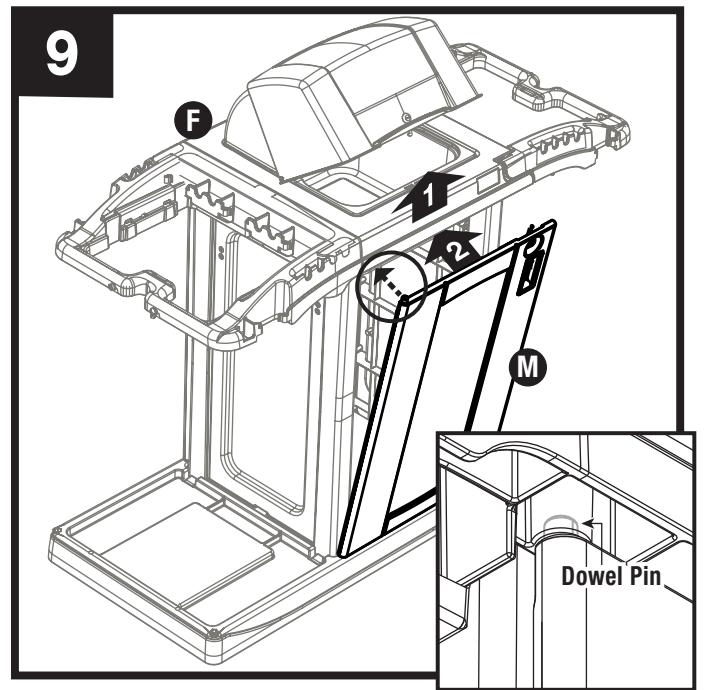
Note: Dowel pins must be engaged to top panel before proceeding.

Assembly



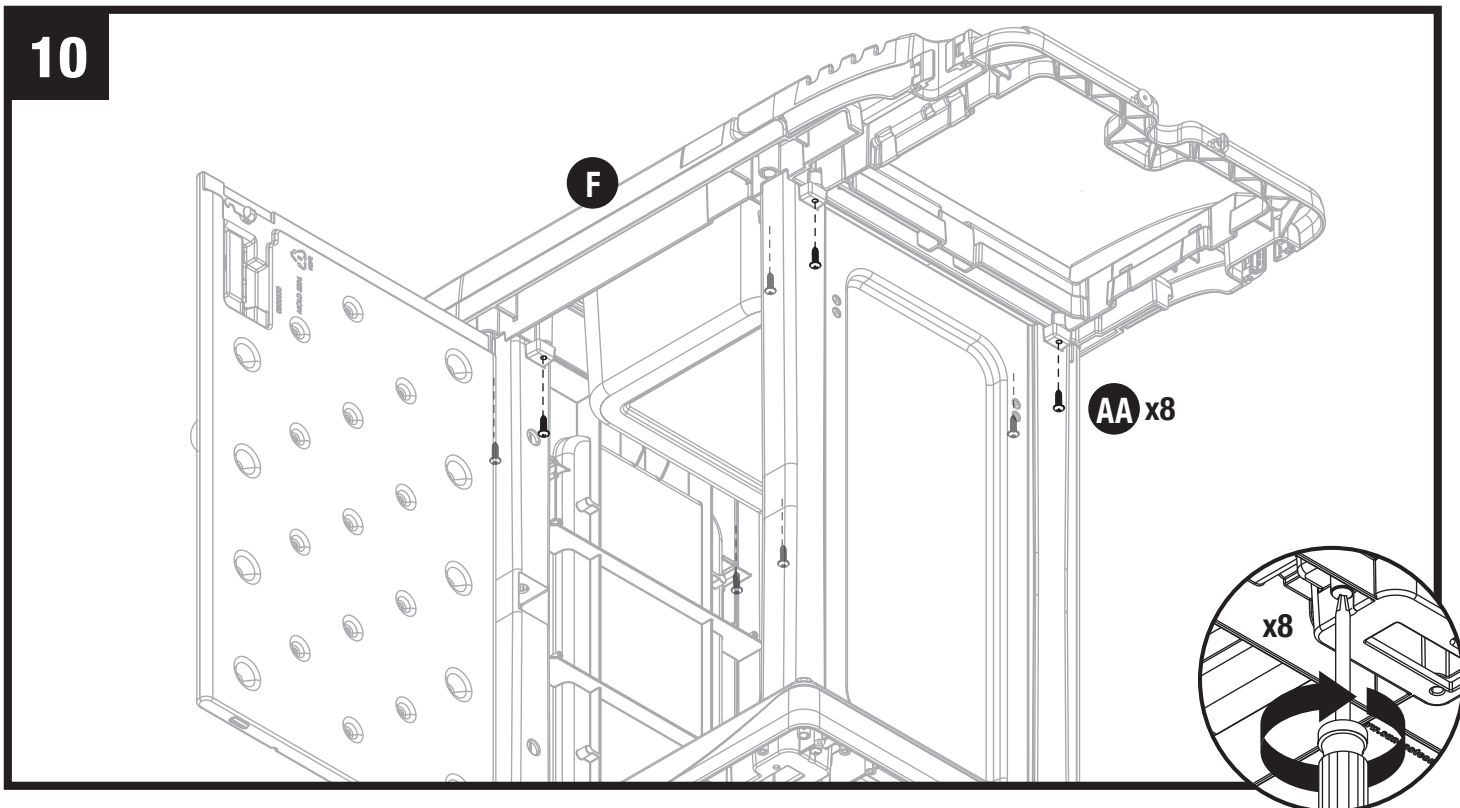
On HKCCH200 Model only, at a slight angle, insert lower dowel pin of locking door panel (M) into hole on base (L).

Note: Dowel pin must be engaged to base before proceeding.



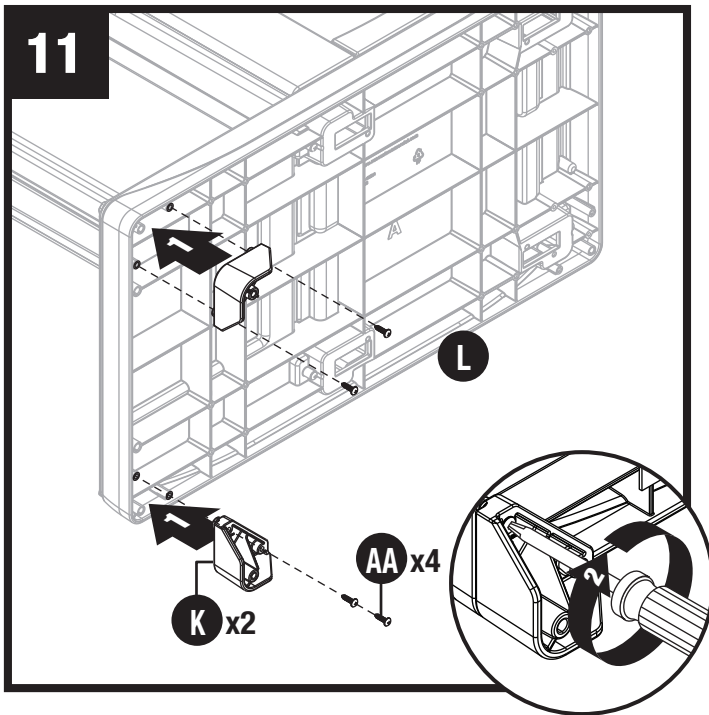
On HKCCH200 Model only, slightly lift up top panel (F) and insert dowel pin on top of locking door panel (M) into holes on underside of top panel.

Note: Dowel pin must be engaged to top panel before proceeding.

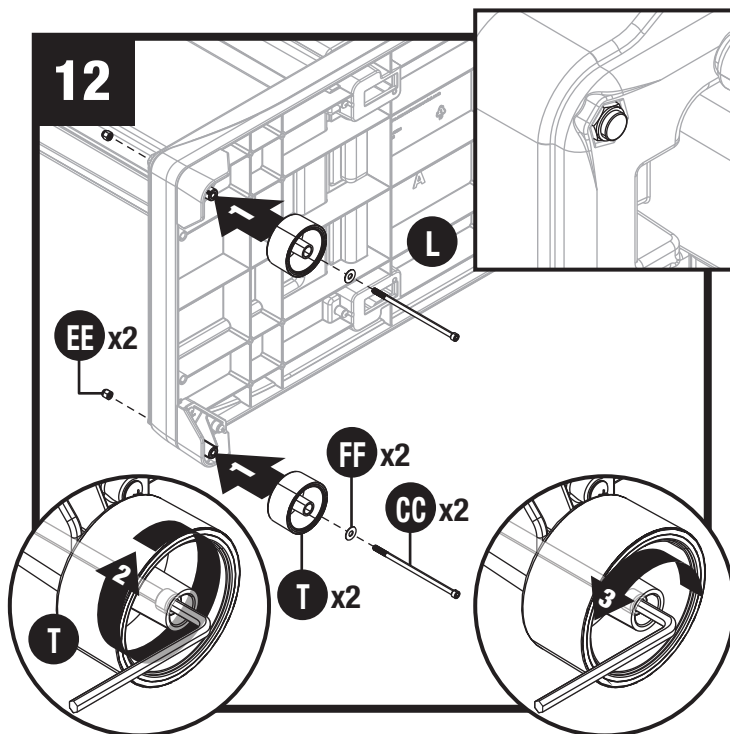


Secure top panel (F) with eight screws (AA). Install four screws on exterior, then four screws on interior corners. (Interior corner screws will be a blind installation.)

Assembly



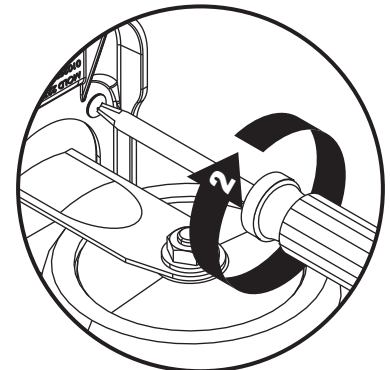
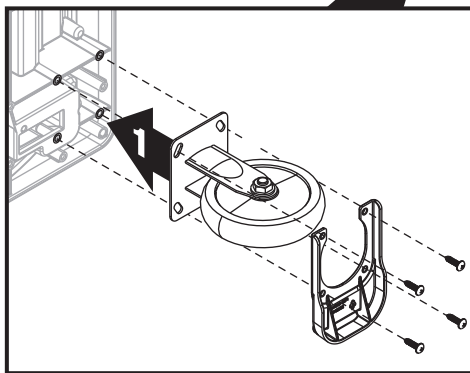
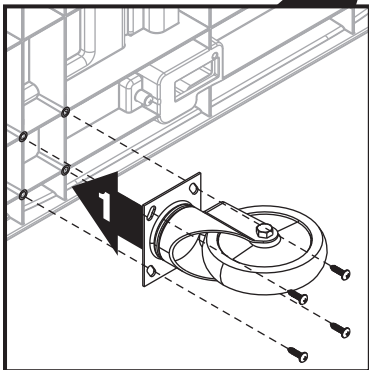
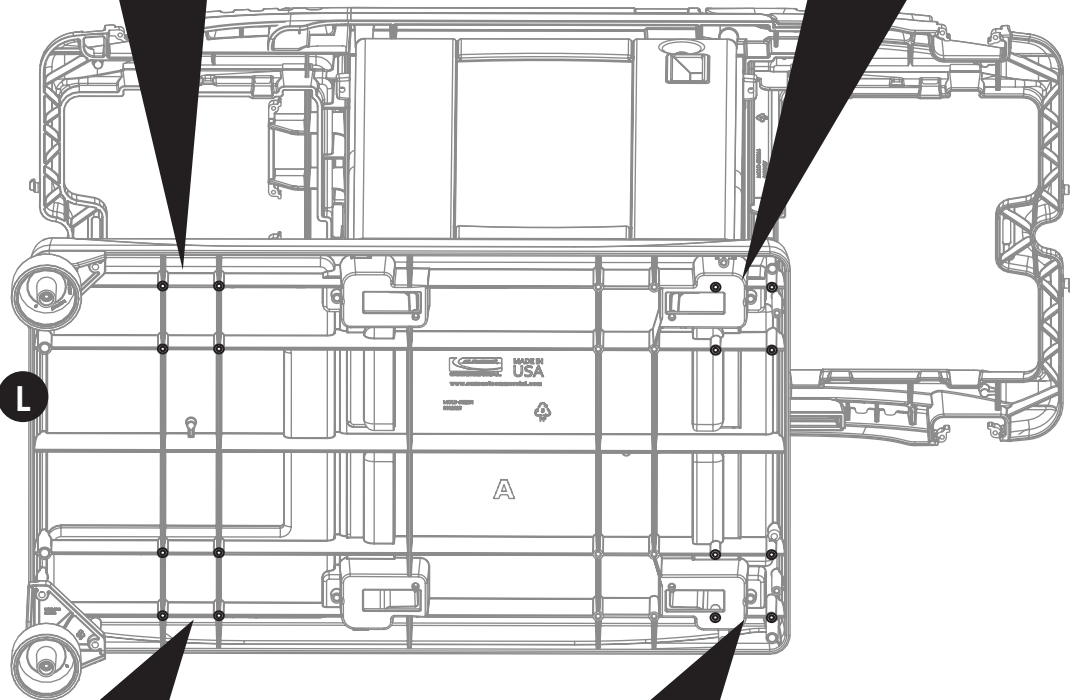
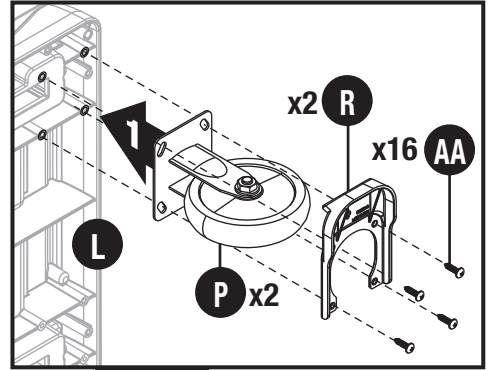
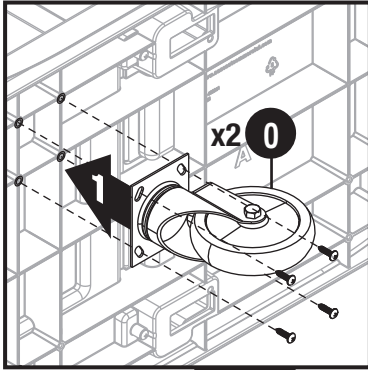
Install roller brackets (K) to front corners of base (L). Secure with two screws (AA) for each roller bracket.



Install a long bolt (CC) through and washer (FF) through each roller (T). Secure each bolt with a capped nut (EE). Tighten bolt with an Allen wrench (nut will fit into a slot at top of base (L)). Tighten until nut is pulled all the way into the hexagonal hole. **Loosen bolt slightly until roller can spin.**

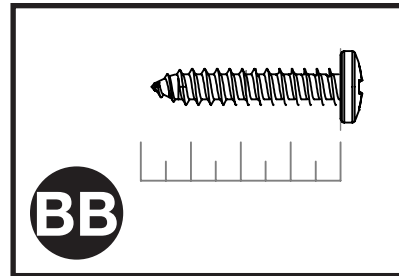
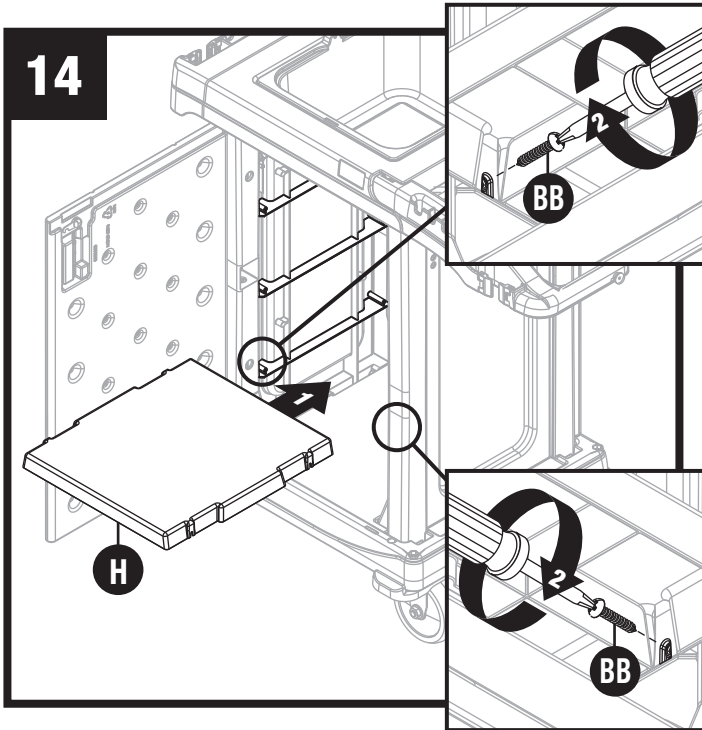
Assembly

13

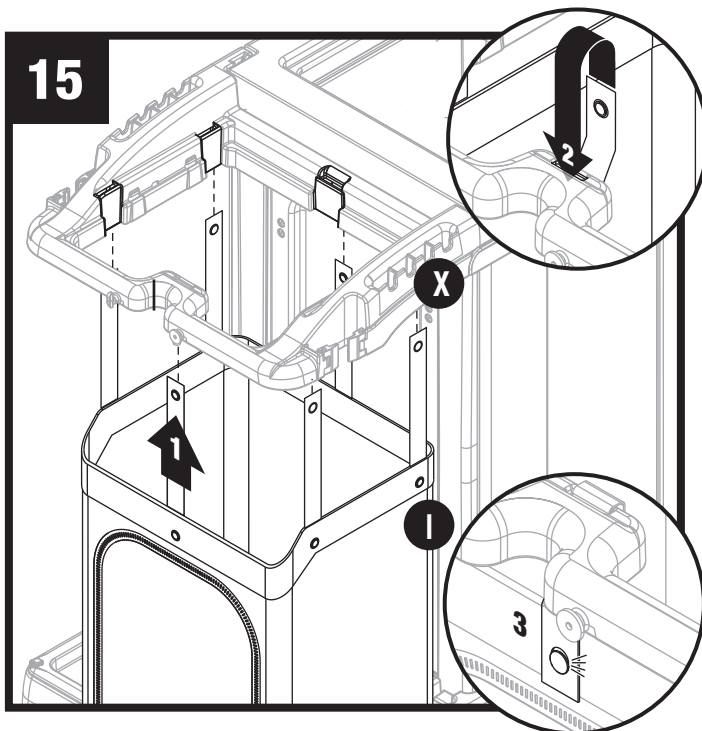


Attach swivel casters (O) to location shown in illustration above. Slide a wall guide (R) onto both fixed casters (P) and attach as shown. Secure each caster with four screws (AA).

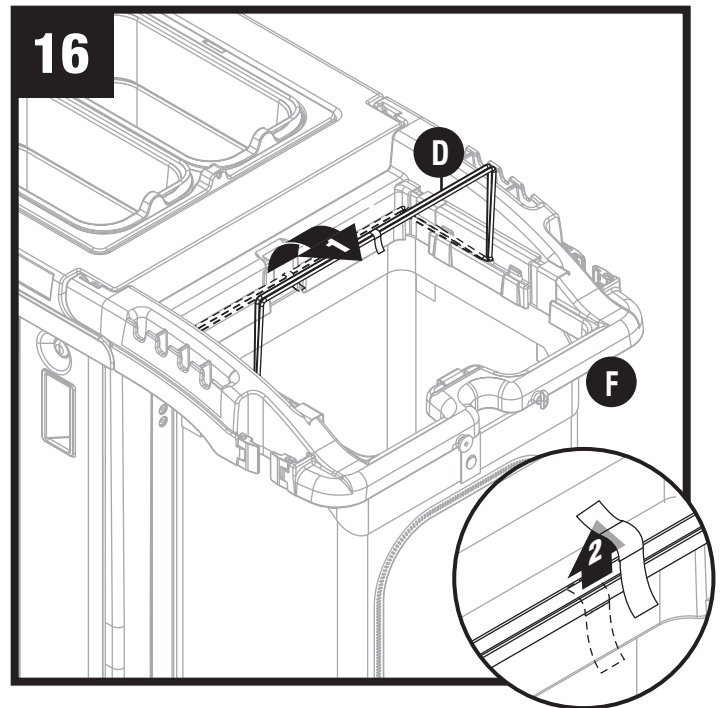
Assembly



At the desired height, insert shelf into cart at an angle, Once in position, lay flat on the shelf supports. Secure with screw (BB) on each front side of shelf.

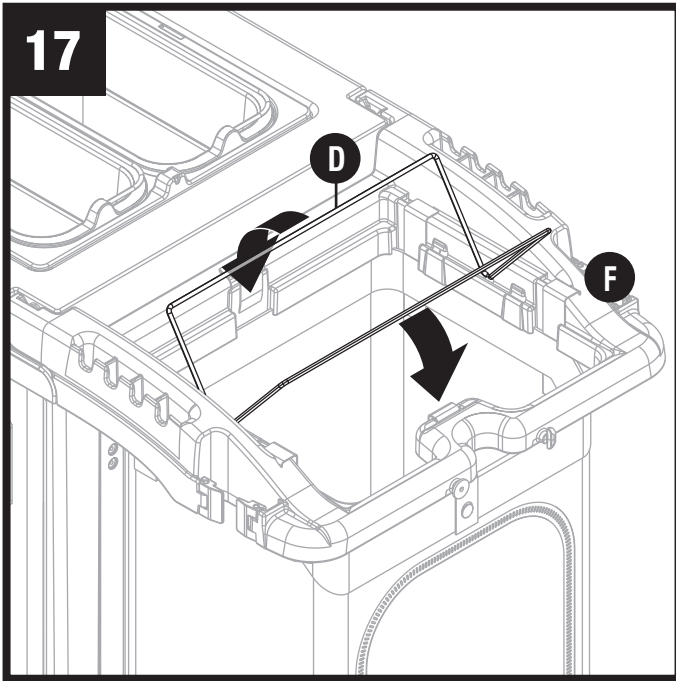


Install laundry bag (l) loops into slots on top frame (F) and snap closed to secure.

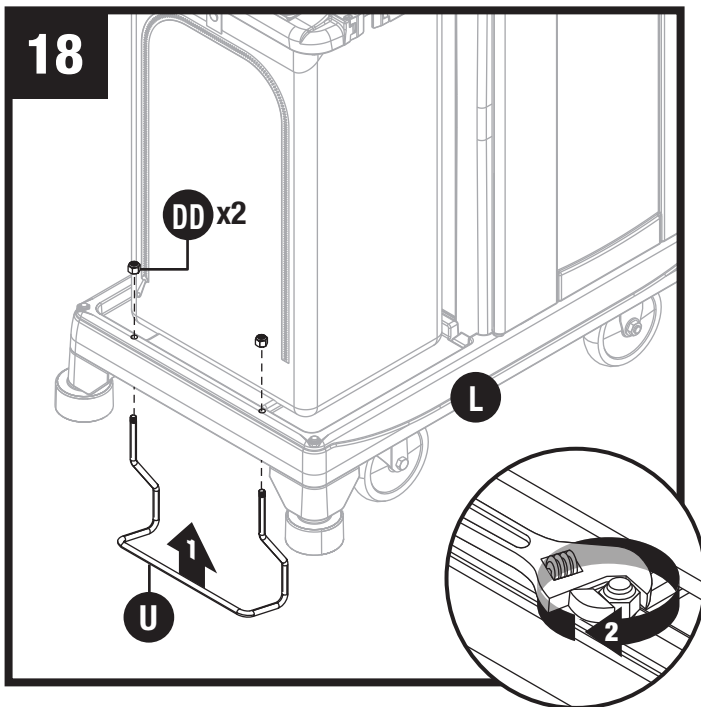


Lift plastic bag wires (D) into upper position and remove tape securing wires together.

Assembly



Fold plastic bag wires (D) down into position on top frame (F).



Install vacuum wire (U) into base (L). Secure with nuts (DD) .

